



# ALUPROFI EXTRA

6.68

RVALUE



MAXIMUM  
LOAD



PROTECTIVE  
FEET



SEAL



HANDRAIL



YEARS  
GUARANTEE



The mark of  
responsible forestry



COMPLIANCE WITH  
THE STANDARD

**OMAN**<sup>®</sup>

CLASSIC

EI

MINI

FLEX

SOLID

LONG

# ALUPROFI EXTRA 55X21.5 1.81 in

The ALUPROFI EXTRA loft ladders are characterized by single sealing and hatch thickness 1.81 in. The ALUPROFI EXTRA model is ideally suited to install where the attic is not insulated and required additional thermal insulation. The distinctive feature of the ALUPROFI EXTRA loft ladder is the light and extremely durable ladder made of high quality aluminum. The loft ladders have anti skidding feet, they adheres perfectly to the ground, prevent scratching of the floor and provide an aesthetic finish for the ladder after cutting. For increased safety and convenience of use, ALUPROFI EXTRA loft ladders are equipped in a stable and durable handrail. In the interest of user convenience, the handrail can be installed on the left or right side – depending on the customer preferences. The excellent quality of materials used for the production of loft ladders and attention to every detail of finish cause that the stairs will satisfy even the most demanding customers. Their maximum load during use is up to 352 lbs.

## Technical specification

Insulated hatch thickness	1.81 in
Thickness of thermal insulation	1.57 in
Hatch colour from both sides	White
Aluminum ladder	3 sections
Height of wooden box	6.69 in
Width of ladder	15.75 in
Width of step	13.78 in
Depth of step	3.15 in
Landing space	55.9 in
Opening distance/angle	65 in
Maximum ceiling height	110.2 in

### Box dimensions [in] AxB

55 x 21.5 AS. 55.12 x 21.65

Outer box dimensions, mounting opening 0.79 in larger

## Non-standard dimensions

Min - Max Length 43.3 - 55.1 in

Min - Max Width 21.3 - 33.5 in

\*Unusual dimensions available in full size of untypical stairs can not exceed 10.76 ft<sup>2</sup>

## Accessories



Masking batten

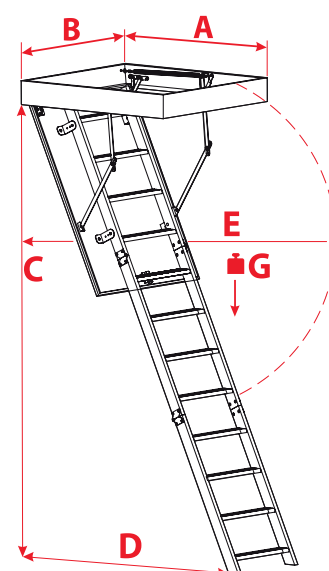


Mounting system



Hatch balustrade

## Technical draw



A > 43 in

C 110.2 in

D 55.9 in

E 65 in

G 352 lbs