



L-COMP



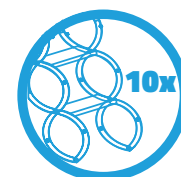
RVALUE



MAXIMUM
LOAD



SEAL



STEPS FLEX



YEARS
GUARANTEE



The mark of
responsible forestry



COMPLIANCE WITH
THE STANDARD

STAIRLUXE

L-COMP

L-COMP 31.5 X 23.5

1.02 in

The L-COMP loft ladder has got single sealing and hatch thickness 1.02 in. The L-COMP model is ideal for environment where the attic is well insulated and does not require additional thermal insulation. L-COMP stair model, thanks to the solid metal extendable „scissor” ladder, is perfect for indoor installation up to 122.05 in in height.. The excellent quality of materials used for the production of stairs and attention to every details of finish cause that the stairs will satisfy even the most demanding customers . The maximum load when using stairs is up to 352 lbs.

Technical specification

Insulated hatch thickness	1.02 in
Thickness of thermal insulation	0.79 in
Hatch colour from both sides	White
Flex ladder	11 sections
Height of wooden box	5.3 in
Width of ladder	15.3 in
Width of step	13.6 in
Depth of step	3.15 in
Landing space	86.6 in
Opening distance/angle	104.3 in
Maximum ceiling height	122 in

Box dimensions [in] AxB

31.5 x 23.5 AS. 31.49 x 23.62

Outer box dimensions, mounting opening 0.79 in larger

Accessories



Masking batten

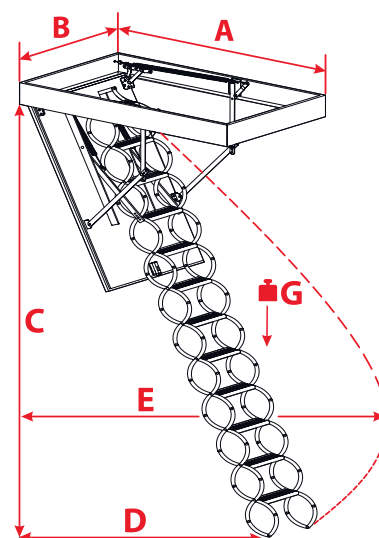


Mounting system



Hatch balustrade

Technical draw



C 122 in
G 352 lbs

A	31.5-39
D	86.6 in
E	104.3 in