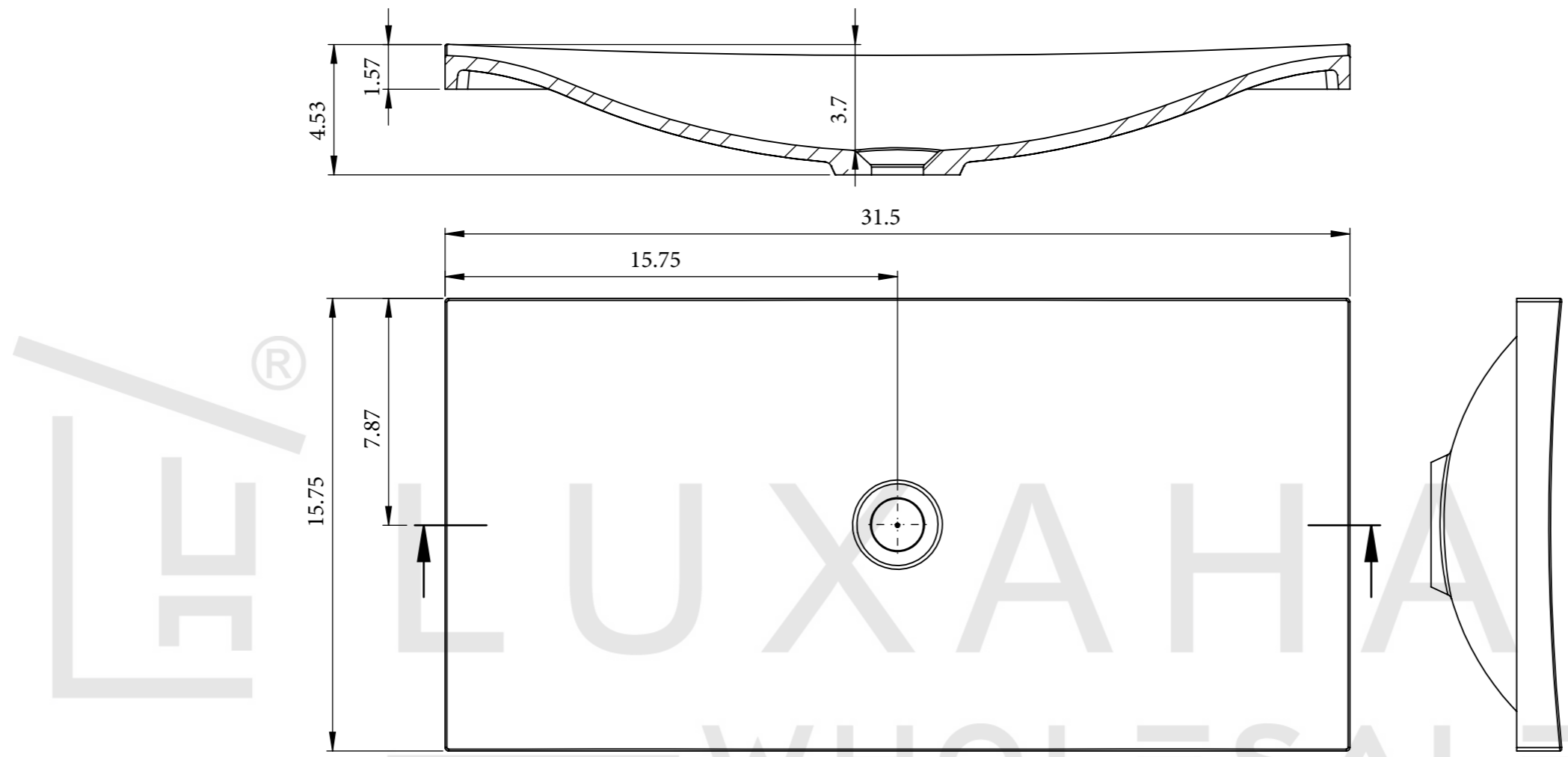


Copying, processing, distributing these materials in whole or in part without our consent is prohibited.



TOLERANCES	
Length	
Width	
Height	
Hole location	
Hole dimensions	
Plane bending	±
Longitudinal slope	
Transverse slope	
Material	

Drew by	Drew date	Signature	
Checked by	Checked date	Signature	
Additional information			Client
Comments			Project name: Jazz 800
			Draw nr
			Version 1

All dimensions in inch