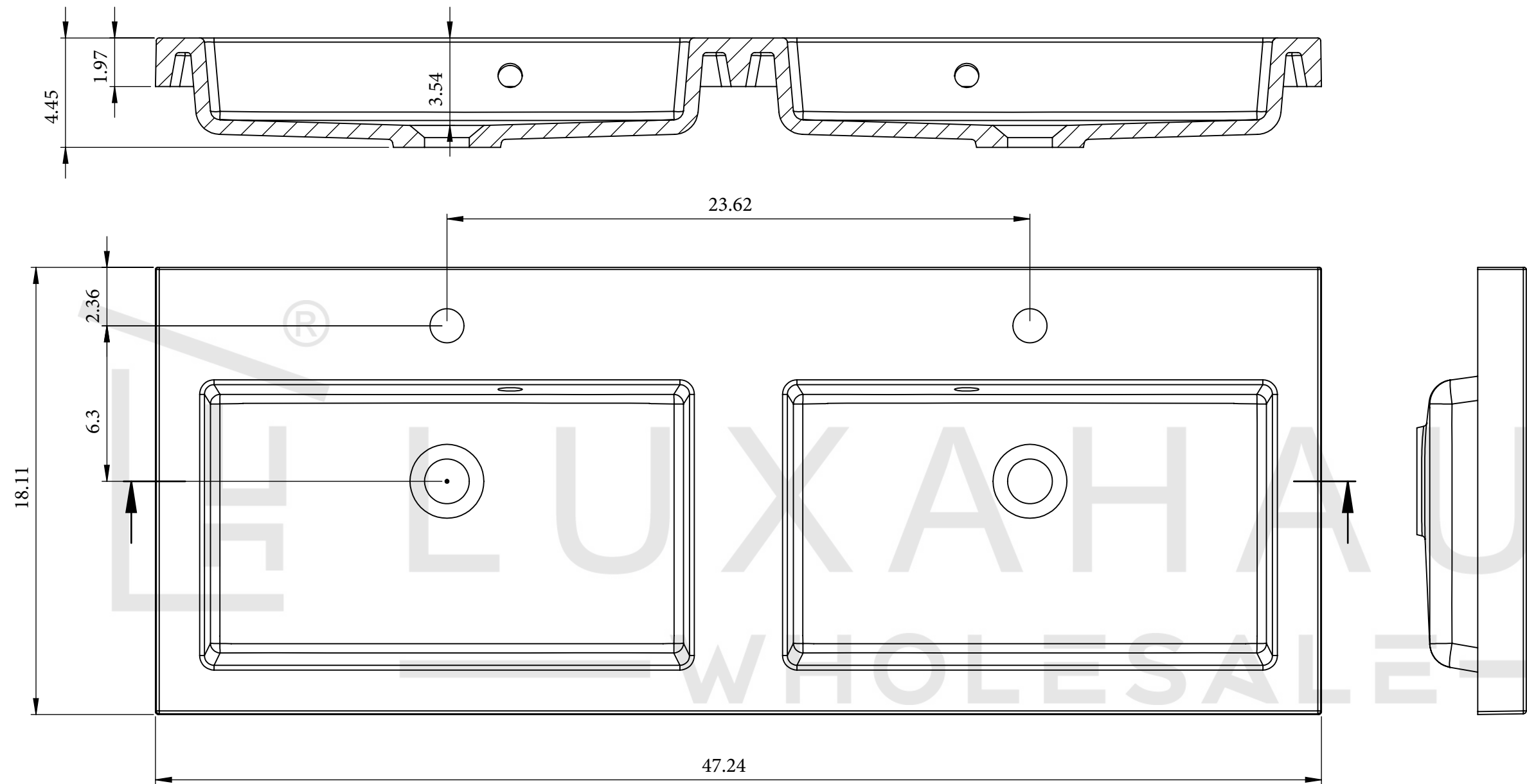


Copying, processing, distributing these materials in whole or in part without our consent is prohibited.



TOLERANCES	
Length	
Width	
Height	
Hole location	
Hole dimensions	
Plane bending	
Longitudinal slope	
Transverse slope	
Material	

Drew by	Drew date	Signature		
Checked by	Checked date	Signature	Client	
Additional information			Project name: Quadra 1200 double	
Comments			Draw nr	Version

All dimensions in inch