



COMP



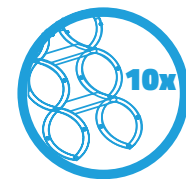
RVALUE



**MAXIMUM
LOAD**



SEAL



**STEPS
FLEX**



**YEARS
GUARANTEE**



The mark of
responsible forestry



COMPLIANCE WITH
THE STANDARD

STAIRLUXE

COMP

COMP 31.5 x 27.5

1.02 in

The COMP loft ladder has got single sealing and hatch thickness 1.02 in. COMP model is ideally suited to conditions where the attic is insulated and does not require additional thermal insulation. The COMP stair model, thanks to the solid metal extendable „scissor” ladder, is perfect for installation in rooms up to 114.17 in high. The excellent quality of materials used for the production of stairs and attention to every details of finish cause that the stairs will satisfy even the most demanding customers. The maximum load during use is up to 352 lbs.

Technical specification

Insulated hatch thickness	1.02 in
Thickness of thermal insulation	0.79 in
Hatch color on both sides	White
Flex ladder	10 sections
Height of wooden box	5.31 in
Width of ladder	15.3 in
Width of step	13.6 in
Depth of step	3.15 in
Landing space	82.7 in
Opening distance/angle	96.6 in
Maximum ceiling height	114.2 in

Box dimensions [in] AxB

31.5 x 27.5 AS. 31.49 x 27.56

Outer box dimensions, mounting opening 0.79 in larger

Accessories



Masking batten

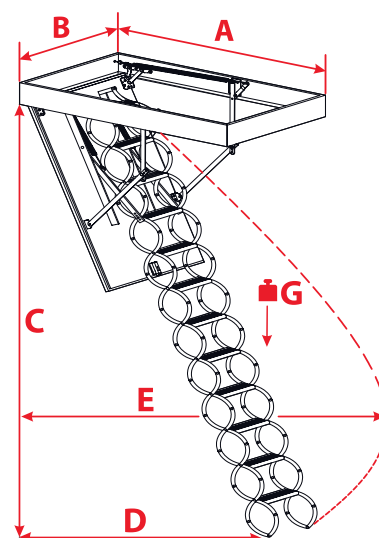


Mounting system



Hatch balustrade

Technical draw



C 114.2 in
G 352 lbs

Non-standard dimensions

Min - Max Length 27.5 - 51 in

Min - Max Width 23.5 - 29.5 in

*Unusual dimensions available in full size of untypical stairs can not exceed 10.76 ft²

A 31.5-39
D 82.7 in
E 96.6 in