



UNI

4,65
RVALUE

352
lbs

MAXIMUM
LOAD

x1
SEAL

SEAL

PROTECTIVE
FEET

PROTECTIVE
FEET

3
YEARS
GUARANTEE

YEARS
GUARANTEE



The mark of
responsible forestry



COMPLIANCE WITH
THE STANDARD

STAIRLUXE

UNI

UNI 36 X 22.5 (RO)

1.02 in

The UNI loft ladder has got single sealing and hatch thickness 1.02 in. UNI model is ideally suited to conditions where the attic is insulated and does not require additional thermal insulation. The UNI stair model, thanks to its small dimensions, is perfect for installation in narrow and small corridors. The little size of the stairs were achieved thanks to using the unique 4 section metal-wood ladder. This ladder is equipped with non-slip feet, which perfectly adhere to the ground and prevent scratches on the floor surface. Our non-slip feet included in UNI loft ladder provide an aesthetic finish for the ladder after cutting. The excellent quality of materials used for the production of stairs and attention to every details of finish cause that the stairs will satisfy even the most demanding customers. The maximum load during use is up to 352 lbs.

Technical specification

Insulated hatch thickness	1 1/32 in
Thickness of thermal insulation	3/4 in
Hatch color on both sides	White
Metal - Wooden ladder	4 sections
Height of wooden box	5 5/16 in
Width of ladder	14 3/8 in
Width of step	12 3/4 in
Depth of step	3 1/8 in
Landing space	53 1/8 in
Opening distance/angle	49 3/16 in
Maximum ceiling height	104 1/4 in

Box dimensions [in] AxB

36 x 22.5 (Rough Opening) | Actual Size 35.5 x 22

Accessories



Masking batten

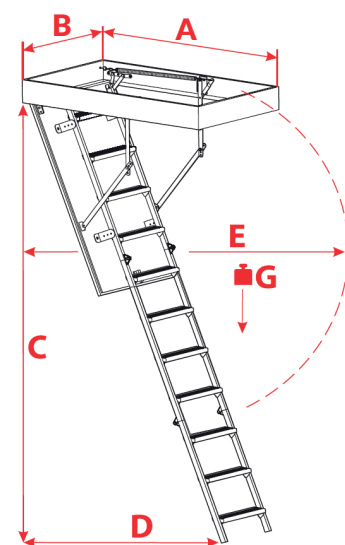


Mounting system



Hatch balustrade

Technical draw



A	35 1/2 in
B	22 in
C	104 1/4 in
D	53 1/8 in
E	49 3/16 in
G	352 lbs

UNI3622104