

TERMO PS

1.02 in

The TERMO PS loft ladder has got single sealing and hatch thickness 1.02 in. TERMO PS model is ideally suited to conditions where the attic is insulated and does not require additional thermal insulation. This ladder is equipped with non-slip feet, which perfectly adhere to the ground and prevent scratches on the floor surface. Our non-slip feet included in TERMO PS loft ladder provide an aesthetic finish for the ladder after cutting. To increase security and for comfortable use our TERMO PS loft ladder is also equipped with stable and durable handrail. In the interest of user convenience, the handrail has been designed in such a way that it can be mounted on the left or right side depending on customer preferences. The excellent quality of materials used for the production of stairs and attention to every details of finish cause that the stairs will satisfy even the most demanding customers. The maximum load during use is up to 352 lbs.

Technical specification

Insulated hatch thickness	1.02 in
Thickness of thermal insulation	0.79 in
Hatch colour from both sides	White
Wooden ladder	3 sections
Height of wooden box	5.31 in
Width of ladder	15.7 in
Width of step	14.1 in
Depth of step	3.15 in
Landing space	52.8/58.3 in
Opening distance/angle	63/65.3 in
Maximum ceiling height	110.2 in

Box dimensions [in] AxB

43x21.5 47x21.5 51x21.5 55x21.5 43x23.5 47x23.5
51x23.5 55x23.5 43x27.5 47x27.5 51x27.5 55x27.5

Outer box dimensions, mounting opening 0.79 in larger

Non-standard dimensions

Min - Max Length 43 - 55 in

Min - Max Width 21.5 - 33.5 in

*Unusual dimensions available in full size of untypical stairs can not exceed 10.76 ft²

Accessories



Masking batten

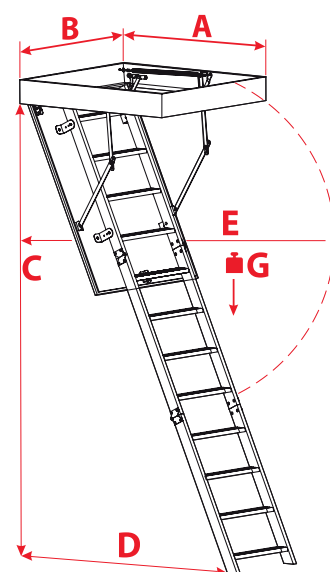


Mounting system



Hatch balustrade

Technical draw



A = 43

A > 43

C **110.2 in**

C **110.2 in**

D **52.7 in**

D **58.3 in**

E **63 in**

E **65.3 in**

G **352 lbs**

G **352 lbs**